



http://a57.foxnews.com/global.fbstatic.com/static/managed/img/660/371/medicine_pills_health_care.jpg

Granny, bring your medicine

cclab Final Presentation

Wenwen Li

**“Where is my shoes/purse/keys/watch...
MEDICINE?!”**

-My Granny

Q: How to remind my granny to take important stuffs (medicine) with her when she leaves home?

A: Stick a poster on the door saying:” Don’t forget your medicine!”

Q:What if she forgets where she puts the medicine?

A:

Audiences

Forgetful (old) people.

People (with heart disease/hypertension...sudden diseases)
who need to have medicine with them.

Concept

Remind people to bring their medicine once they leave home.

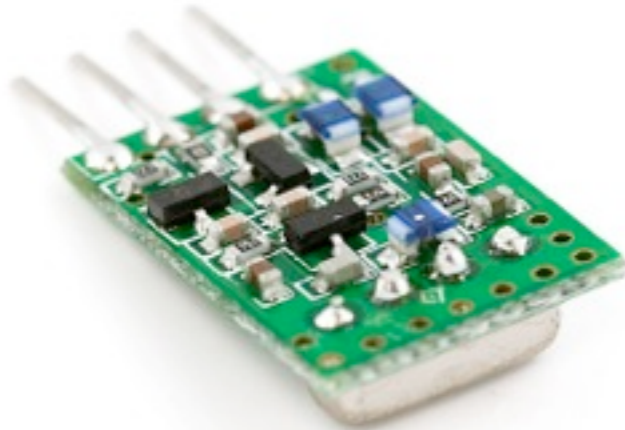
Precedents

Security Alarms



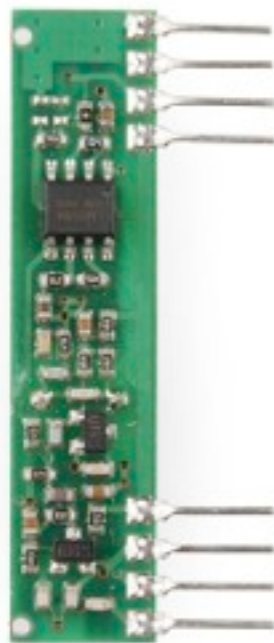
http://sp.life123.com/bm.pix/home_security_systems.s600x600.jpg

Process



images are [CC BY-NC-SA 3.0](https://creativecommons.org/licenses/by-nc-sa/3.0/)

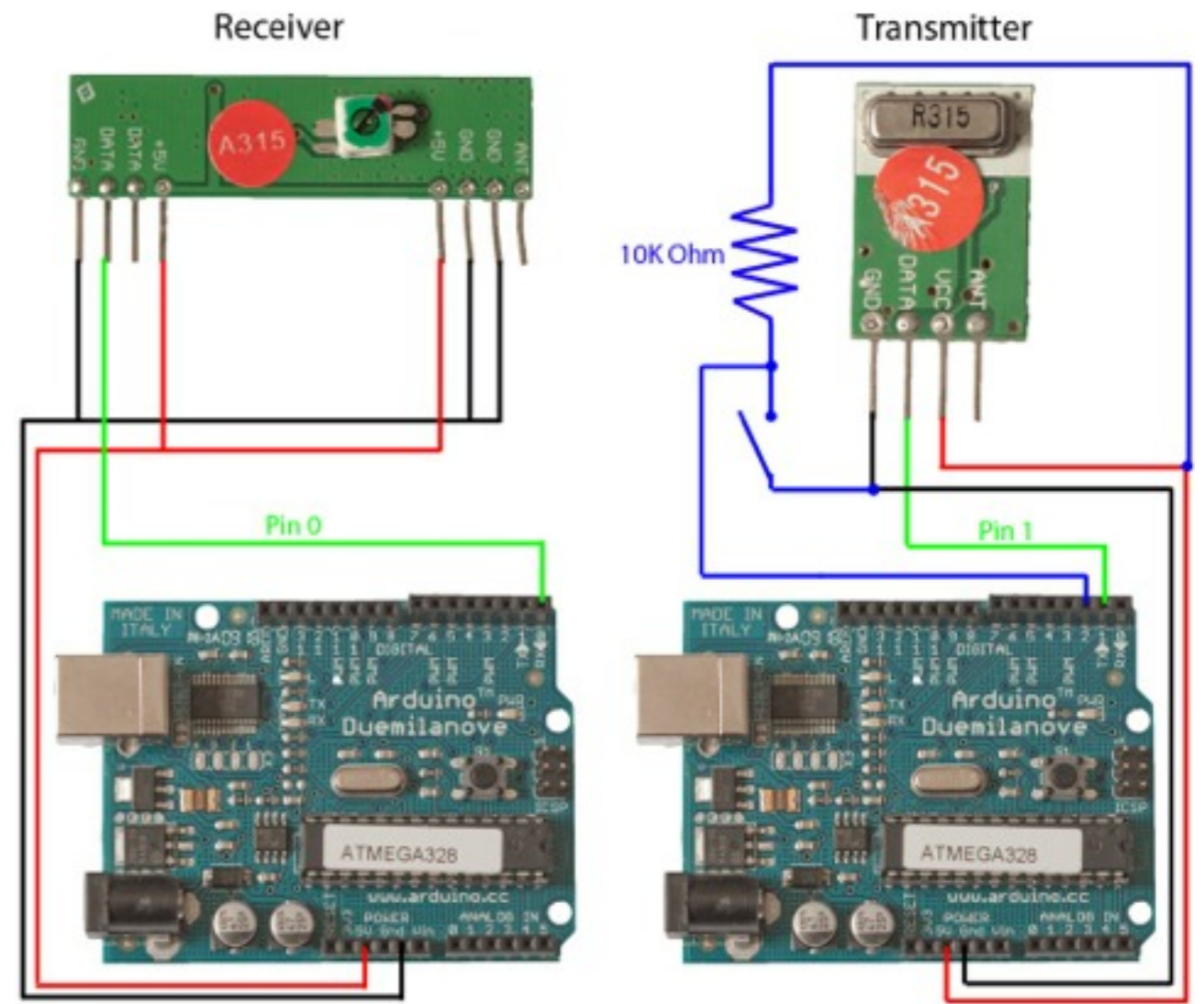
RF Link Receiver - 4800bps (315MHz)



images are [CC BY-NC-SA 3.0](https://creativecommons.org/licenses/by-nc-sa/3.0/)

RF Link Transmitter - 4800bps (315MHz)

Not to scale (transmitter and receiver are smaller compared to Arduino)



http://www.glacialwanderer.com/_blog/blog2009/08_August/hr_RF_circuit.jpg



images are [CC BY-NC-SA 3.0](https://creativecommons.org/licenses/by-nc-sa/3.0/)

PIR Motion Sensor



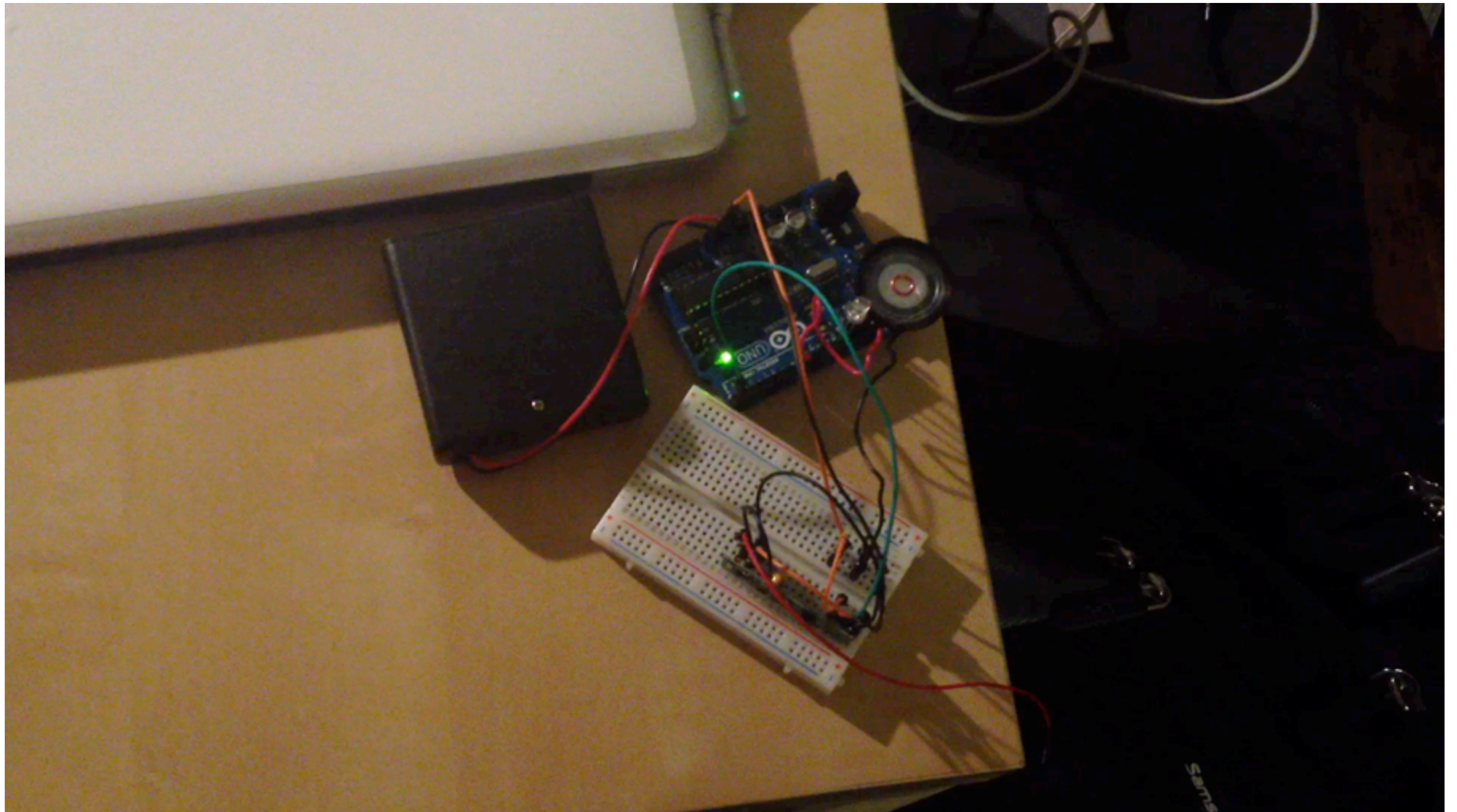
images are [CC BY-NC-SA 3.0](https://creativecommons.org/licenses/by-nc-sa/3.0/)

Speaker - 0.5W 80hm



images are [CC BY-NC-SA 3.0](https://creativecommons.org/licenses/by-nc-sa/3.0/)

LED



<https://vimeo.com/55871747>

Problem

Noise annoying

Limited distance

One way communication

Next iteration

Wireless communications
Xbee

Thank you!